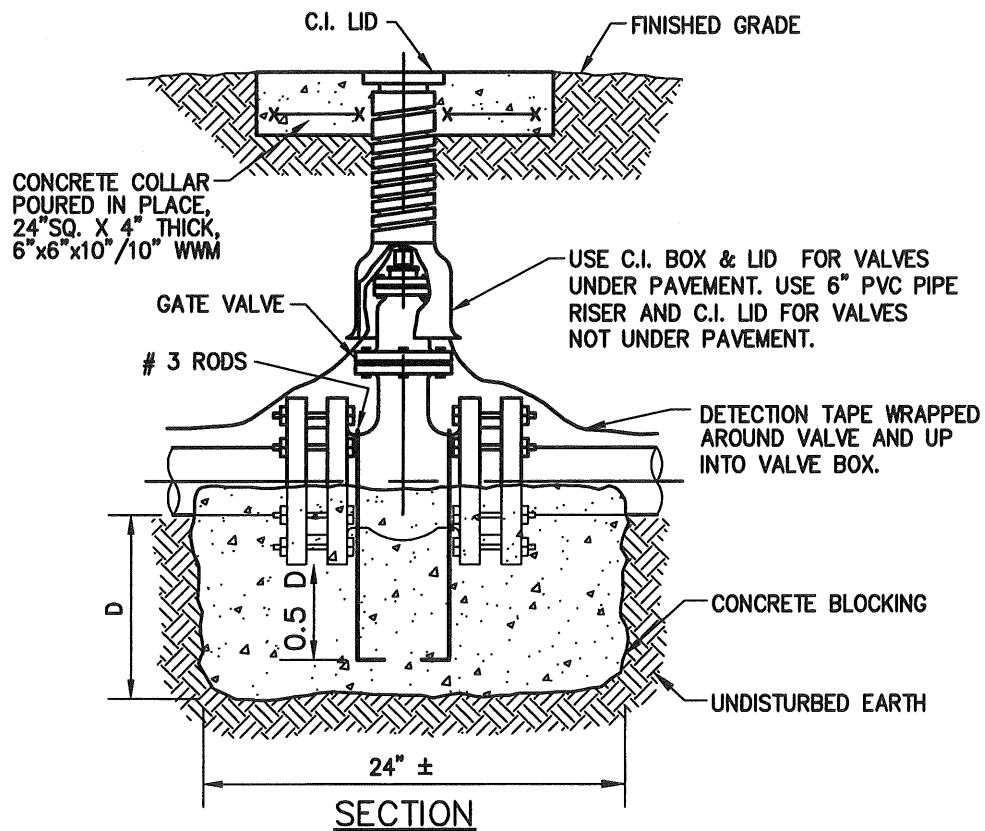


NOTES

1. USE READY-MIX CONCRETE WITH 3,000 PSI STRENGTH © 28 DAYS.
2. PLACE CONCRETE BEARING SURFACES AGAINST UNDISTURBED EARTH.
3. PLACE CONCRETE CLEAR OF JOINT AND JOINT ACCESSORIES.

| VALVE SIZE | DEPTH "D" | VOLUME |
|------------|-----------|---------|
| 6" | 6" | 0.10 CY |
| 8" | 9" | 0.18 CY |
| 10" | 12" | 0.25 CY |
| 12" | 24" | 0.50 CY |



GATE VALVE

NTS



LUMPKIN COUNTY WSA
194 COURTHOUSE HILL
DAHLONEGA, GA 30533
TEL. (706) 867-6580

**WATER SYSTEM IMPROVEMENTS
STANDARD DETAILS**

DRAWN BY:

SMS

SCALE:

AS SHOWN

DATE:

JULY 13, 2019

DWG. NO.

494-03A1-W04