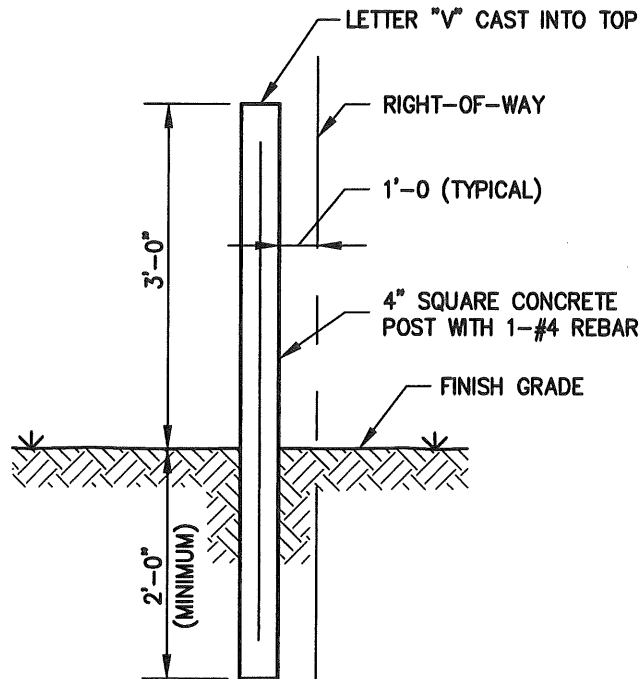


NOTES

1. PLACE MARKER IN A PROTECTED LOCATION AT EDGE OF RIGHT-OF-WAY.
2. MARKER NOT REQUIRED FOR VALVES AT FIRE HYDRANTS.



ELEVATION

VALVE MARKER

NTS



LUMPKIN COUNTY WSA
194 COURTHOUSE HILL
DAHLONEGA, GA 30533
TEL. (706) 867-6580

WATER SYSTEM IMPROVEMENTS
STANDARD DETAILS

DRAWN BY:

SMS

SCALE:

AS SHOWN

DATE:

JULY 13, 2019

DWG. NO.

494-03A1-W05