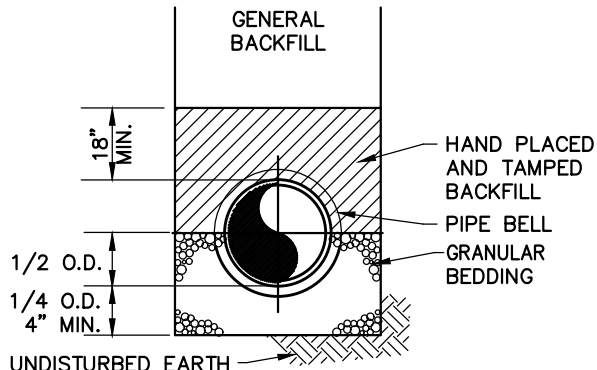
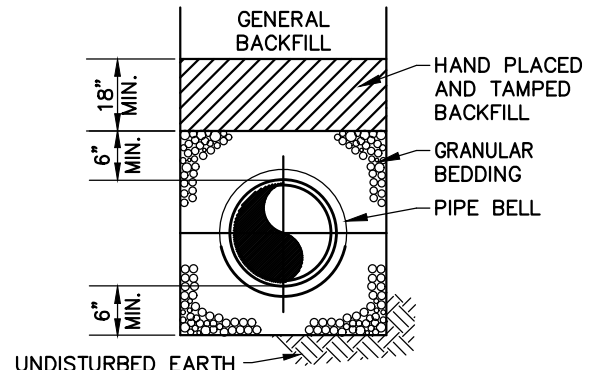


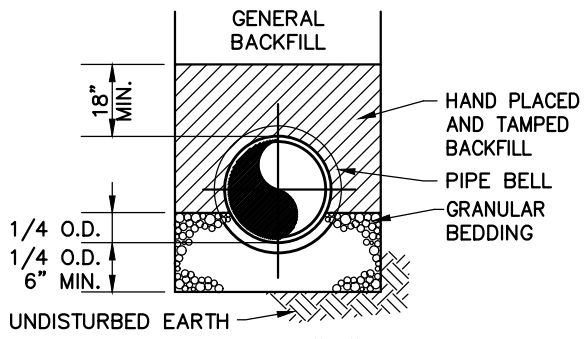
TYPE 1 CLASS "A", USE EITHER TYPE TYPE 2



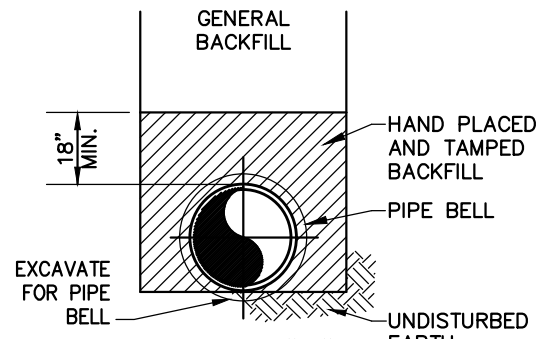
CLASS "B"



CLASS "B MODIFIED"

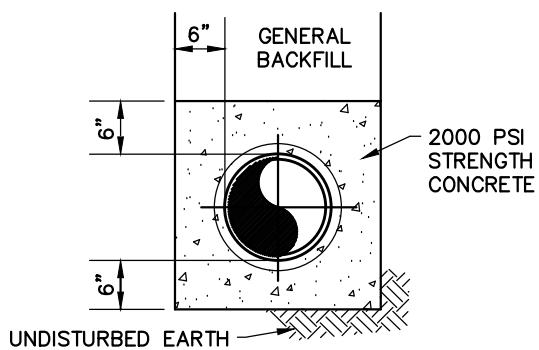


CLASS "C"



*CLASS "D"

*USE CLASS "D" BEDDING IN DRY EARTH TRENCHES ONLY.



CONCRETE ENCASEMENT

PIPE BEDDING
NTS



LUMPKIN COUNTY WSA
194 COURTHOUSE HILL
DAHLONEGA, GA 30533
TEL. (706) 867-6580

**WATER SYSTEM IMPROVEMENTS
STANDARD DETAILS**

DRAWN BY: SMS

SCALE: AS SHOWN

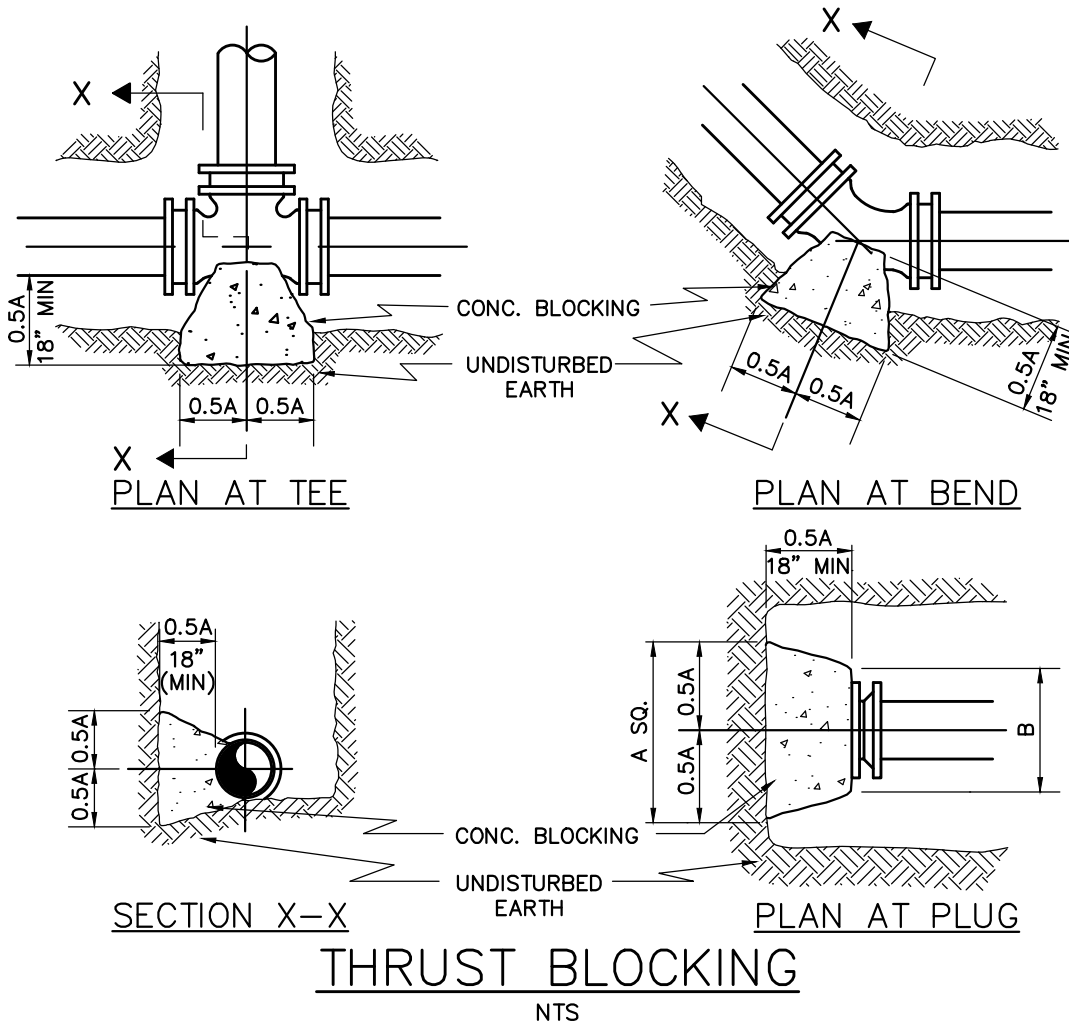
DATE: JULY 13, 2019

DWG. NO. 494-03A1-W01

NOTES

1. USE READY-MIX CONCRETE WITH 3,000 PSI STRENGTH @ 28 DAYS.
2. PLACE CONCRETE BEARING SURFACES AGAINST UNDISTURBED EARTH.
3. PLACE CONCRETE CLEAR OF JOINT AND JOINT ACCESSORIES.

PIPE SIZE	90° BEND	45° BEND	22.5° BEND	11.25° BEND	TEES	PLUGS	
	A	A	A	A	A	A	B
4"	15"	12"	12"	12"	12"	12"	10"
6"	20"	16"	12"	12"	18"	18"	12"
8"	30"	20"	15"	12"	24"	24"	12"
10"	36"	26"	18"	14"	30"	30"	14"
12"	40"	32"	20"	16"	36"	36"	16"
14"	48"	36"	26"	18"	40"	40"	18"
16"	64"	42"	32"	20"	48"	48"	20"



LUMPKIN COUNTY WSA
 194 COURTHOUSE HILL
 DAHLONEGA, GA 30533
 TEL. (706) 867-6580

**WATER SYSTEM IMPROVEMENTS
 STANDARD DETAILS**

DRAWN BY: SMS

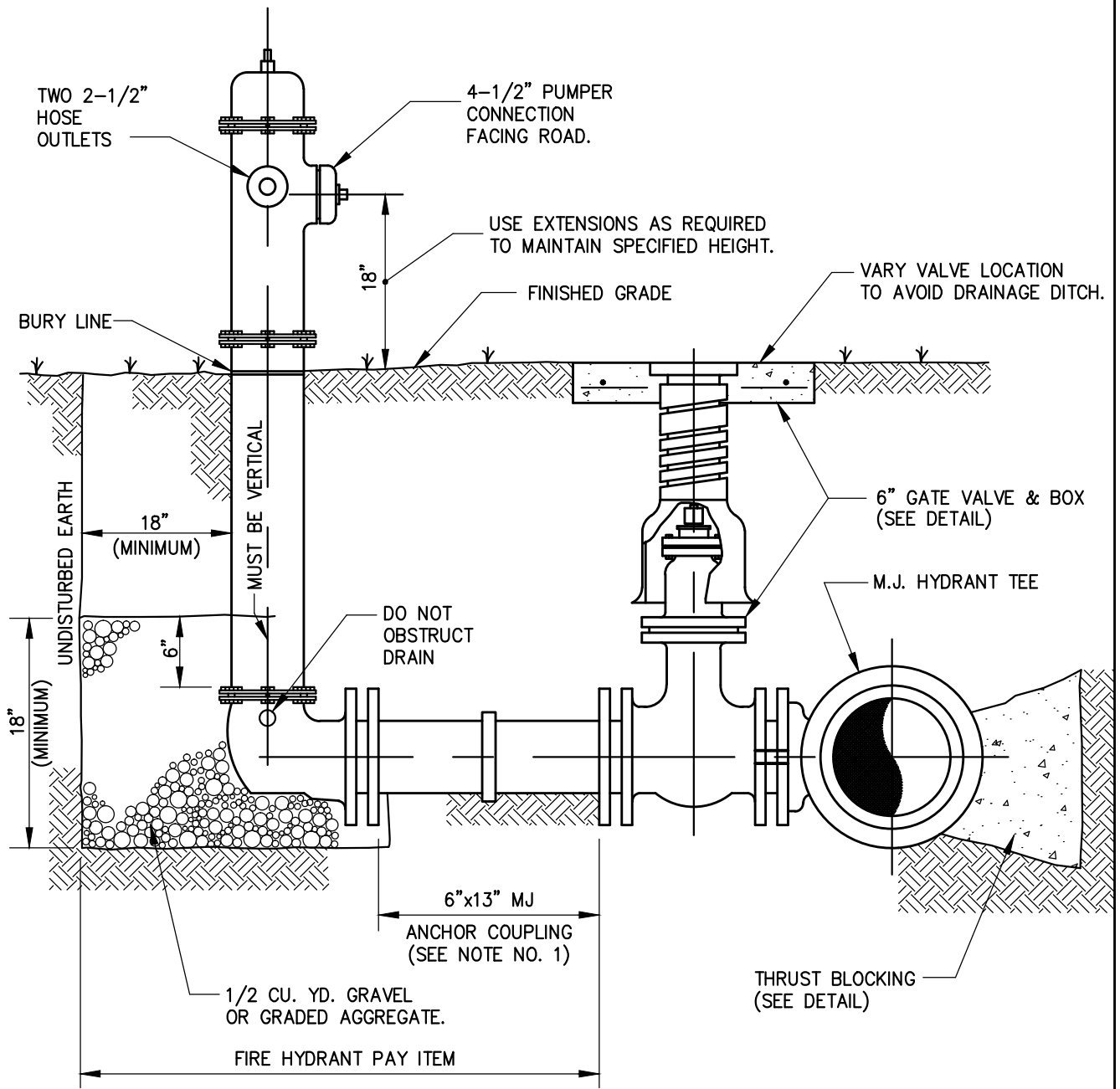
SCALE: AS SHOWN

DATE: JULY 13, 2019

DWG. NO. 494-03A1-W02

NOTES

1. IN AREAS WHERE ANCHOR COUPLING DOES NOT PROVIDE ADEQUATE LENGTH TO INSTALL HYDRANT, REPLACE COUPLING WITH 6" DIP AND TWO (2) 3/4" GALVANIZED TIE RODS WITH DOUBLE NUTS AT EACH FITTING.



FIRE HYDRANT
NTS



LUMPKIN COUNTY WSA
194 COURTHOUSE HILL
DAHLONEGA, GA 30533
TEL. (706) 867-6580

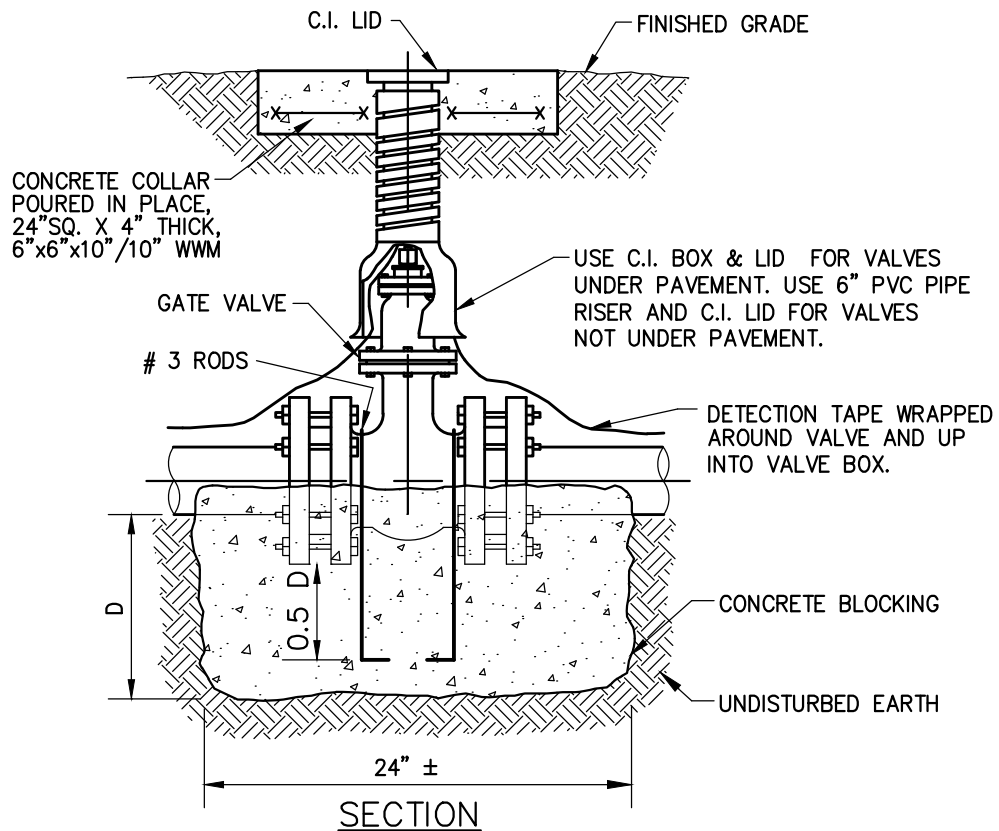
**WATER SYSTEM IMPROVEMENTS
STANDARD DETAILS**

DRAWN BY: SMS	SCALE: AS SHOWN	DATE: JULY 13, 2019	DWG. NO. 494-03A1-W03
---------------	-----------------	---------------------	-----------------------

NOTES

1. USE READY-MIX CONCRETE WITH 3,000 PSI STRENGTH @ 28 DAYS.
2. PLACE CONCRETE BEARING SURFACES AGAINST UNDISTURBED EARTH.
3. PLACE CONCRETE CLEAR OF JOINT AND JOINT ACCESSORIES.

VALVE SIZE	DEPTH "D"	VOLUME
6"	6"	0.10 CY
8"	9"	0.18 CY
10"	12"	0.25 CY
12"	24"	0.50 CY



GATE VALVE

NTS



LUMPKIN COUNTY WSA
 194 COURTHOUSE HILL
 DAHLONEGA, GA 30533
 TEL. (706) 867-6580

**WATER SYSTEM IMPROVEMENTS
 STANDARD DETAILS**

DRAWN BY: SMS

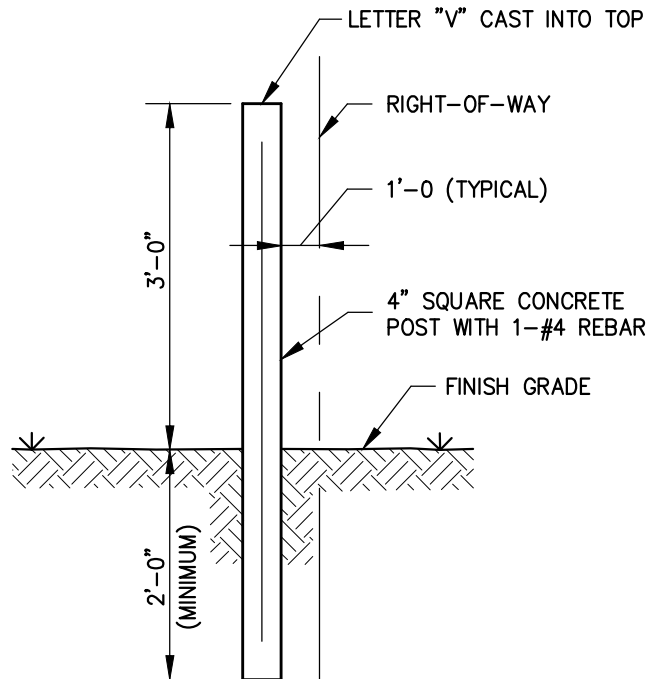
SCALE: AS SHOWN

DATE: JULY 13, 2019

DWG. NO. 494-03A1-W04

NOTES

1. PLACE MARKER IN A PROTECTED LOCATION AT EDGE OF RIGHT-OF-WAY.
2. MARKER NOT REQUIRED FOR VALVES AT FIRE HYDRANTS.



ELEVATION

VALVE MARKER

NTS



LUMPKIN COUNTY WSA
194 COURTHOUSE HILL
DAHLONEGA, GA 30533
TEL. (706) 867-6580

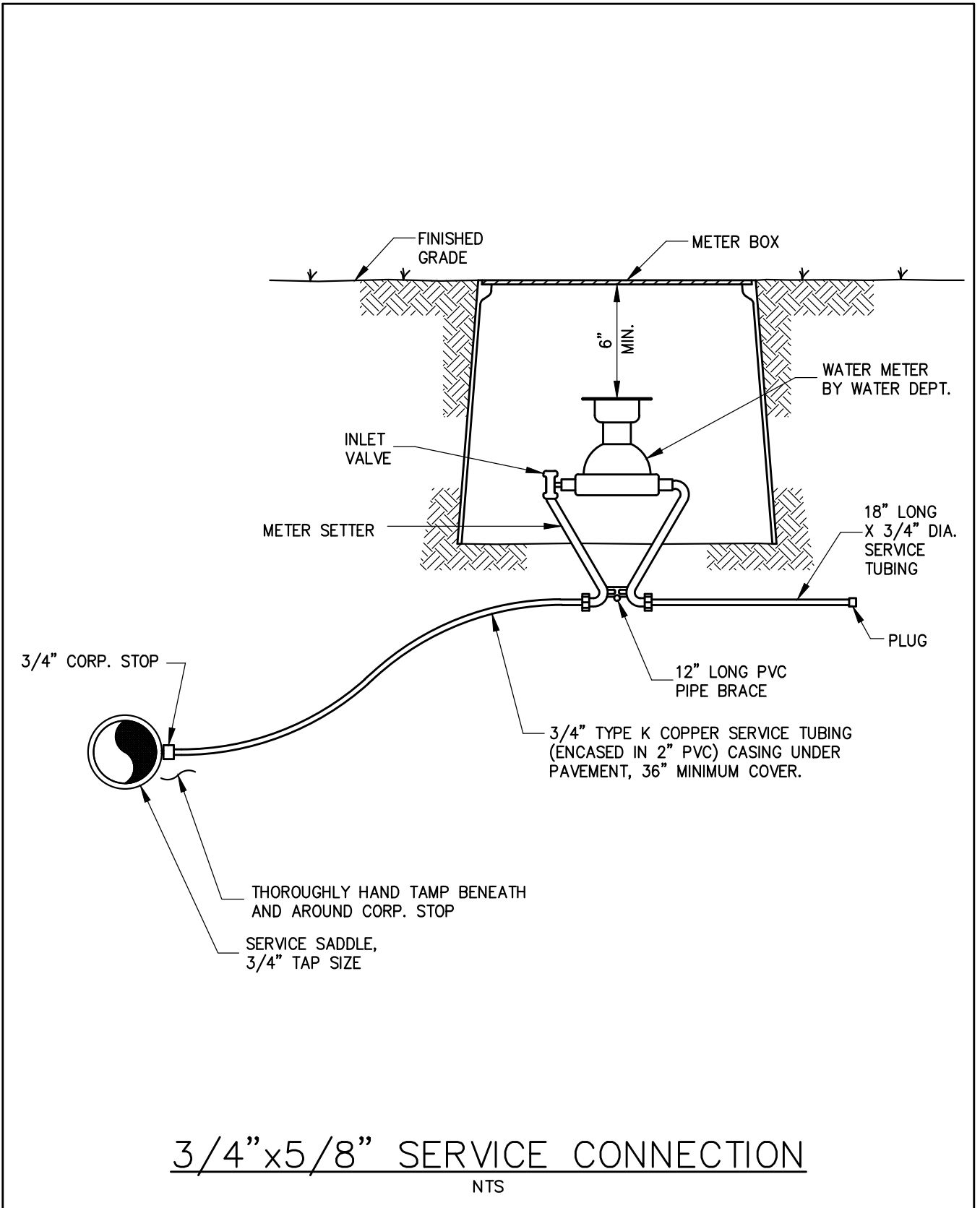
**WATER SYSTEM IMPROVEMENTS
STANDARD DETAILS**

DRAWN BY: SMS

SCALE: AS SHOWN

DATE: JULY 13, 2019

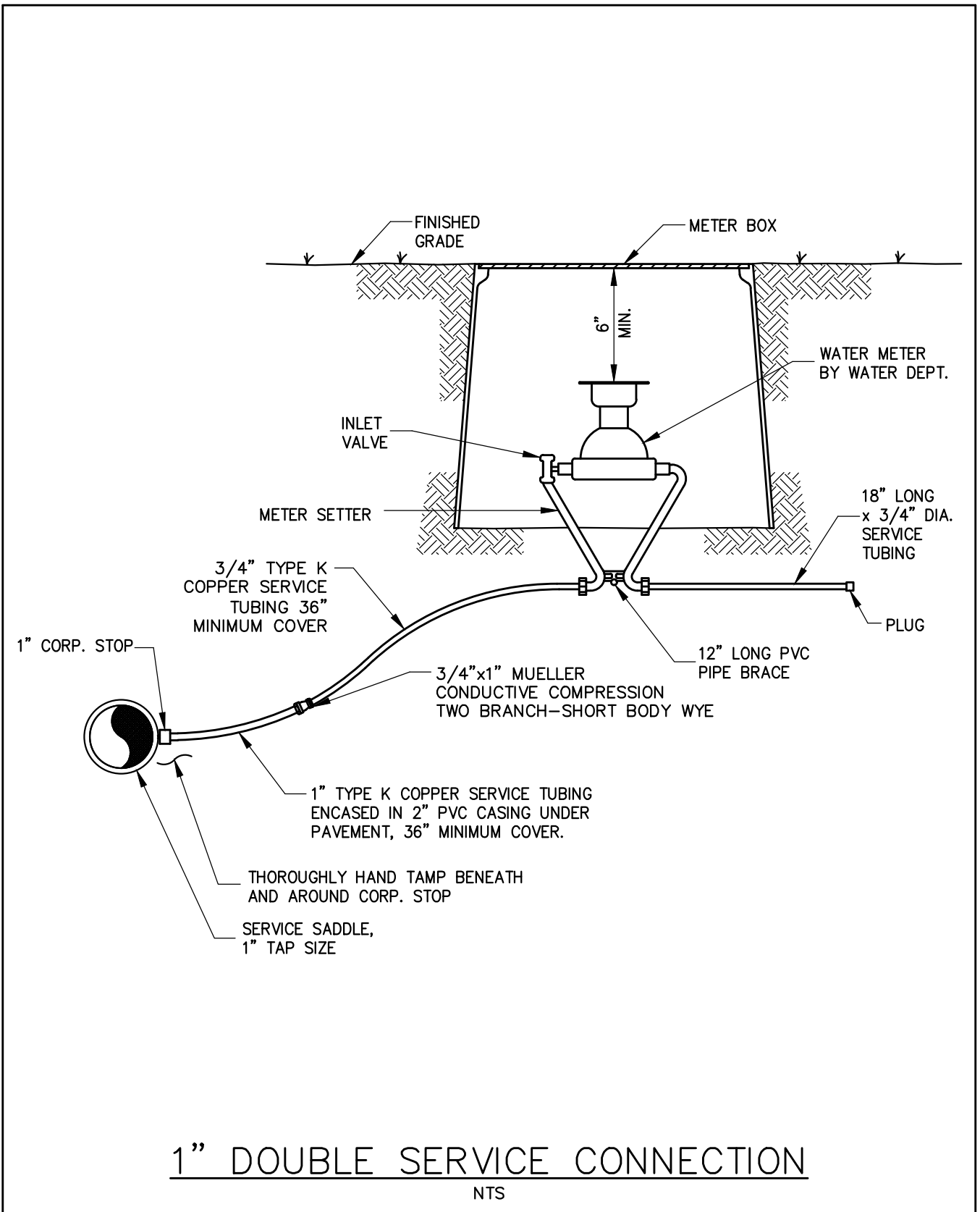
DWG. NO. 494-03A1-W05



LUMPKIN COUNTY WSA
 194 COURTHOUSE HILL
 DAHLONEGA, GA 30533
 TEL. (706) 867-6580

**WATER SYSTEM IMPROVEMENTS
 STANDARD DETAILS**

DRAWN BY: SMS	SCALE: AS SHOWN	DATE: JULY 13, 2019	DWG. NO. 494-03A1-W06
---------------	-----------------	---------------------	-----------------------



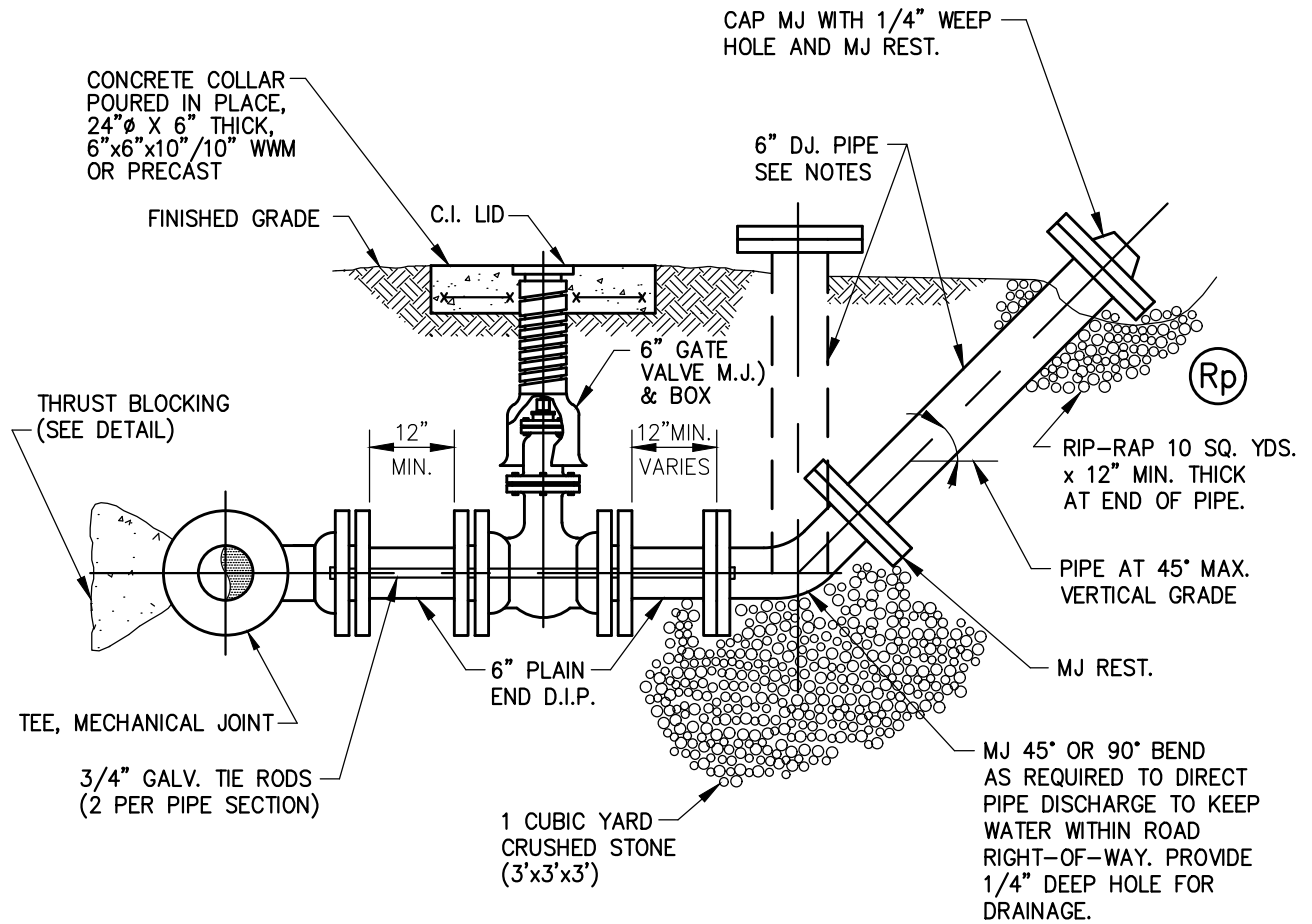
LUMPKIN COUNTY WSA
 194 COURTHOUSE HILL
 DAHLONEGA, GA 30533
 TEL. (706) 867-6580

**WATER SYSTEM IMPROVEMENTS
 STANDARD DETAILS**

DRAWN BY: SMS	SCALE: AS SHOWN	DATE: JULY 13, 2019	DWG. NO. 494-03A1-W07
---------------	-----------------	---------------------	-----------------------

NOTES

1. DIRECTION AND LENGTH OF D.I. PIPE TO BE FIELD COORDINATED.
2. BLOW-OF VALVE PAY ITEM TO INCLUDE VALVE, VALVE BOX, BEND, CAP, RIP-RAP, AND UP TO 10 LF OF DJ. PIPE.
3. ADDITIONAL FITTINGS AND DJ. PIPE (OVER 10 LF) WILL BE PAID UNDER APPROPRIATE BID ITEM.



6" BLOW-OFF ASSEMBLY

NTS



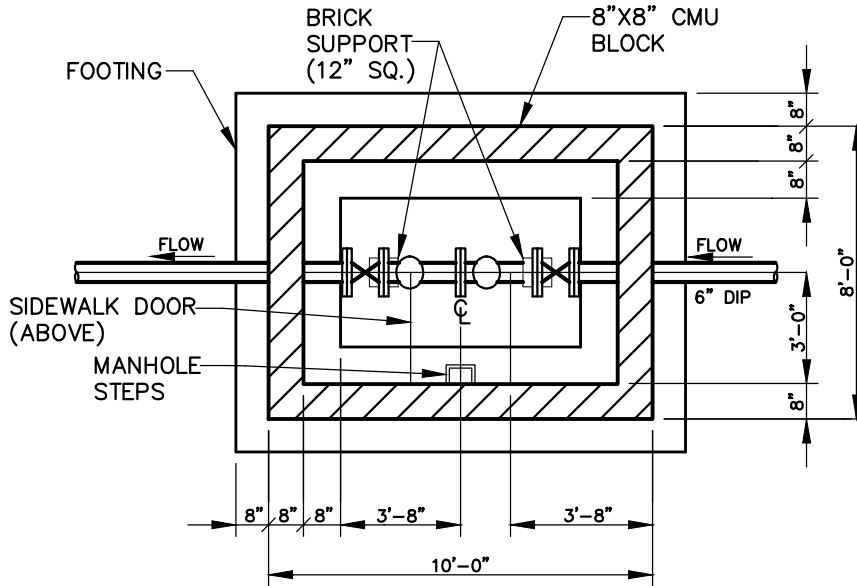
LUMPKIN COUNTY WSA
 194 COURTHOUSE HILL
 DAHLONEGA, GA 30533
 TEL. (706) 867-6580

**WATER SYSTEM IMPROVEMENTS
 STANDARD DETAILS**

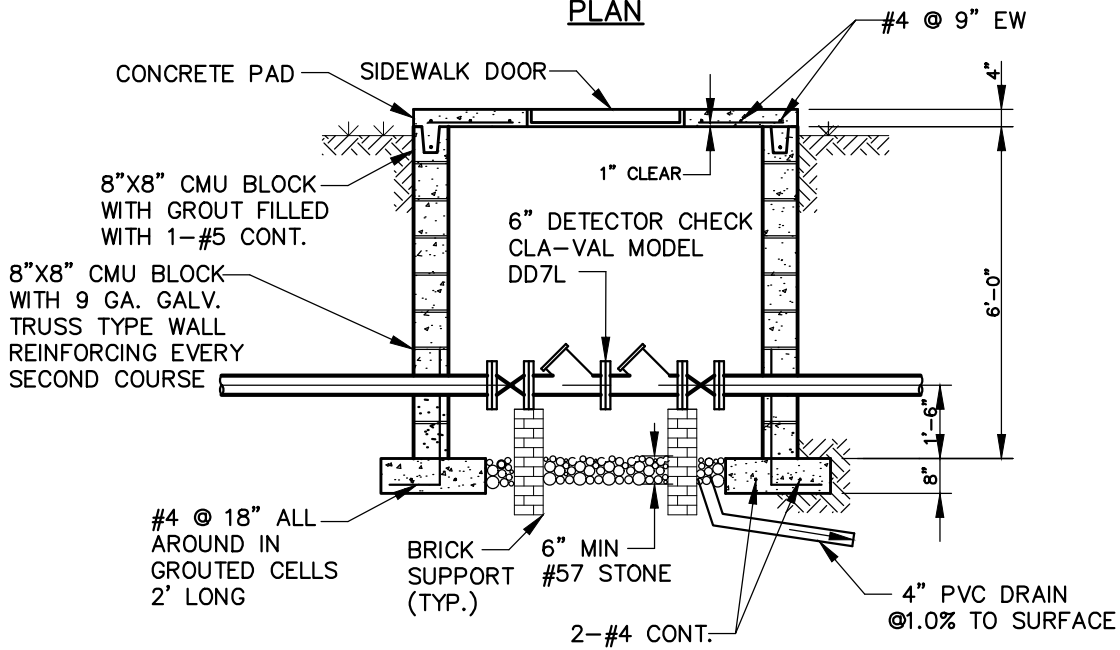
DRAWN BY: SMS	SCALE: AS SHOWN	DATE: JULY 13, 2019	DWG. NO. 494-03A1-W08
---------------	-----------------	---------------------	-----------------------

NOTES

1. USE ALL FLANGED FITTINGS UNLESS OTHERWISE NOTED.
2. A PRECAST METEER PIT MAY BE SUBSTITUTED WITH ENGINEER'S APPROVAL.
3. ALL CONCRETE SHALL BE 3,000 PSI @ 28 DAYS, READY-MIX ASTM C-94.
4. USE BILCO TYPE K-5 SIDEWALK DOOR.
5. USE MANHOLE STEPS, REINFORCED PLASTIC WITH A 3/8" MIN. DIA. STEEL ROD @ 18" O.C.
6. CONSTRUCT BRICK SUPPORTS ON UNDISTURBED SOIL.



PLAN



SECTION

6" DETECTOR CHECK PIT

NTS



LUMPKIN COUNTY WSA
 194 COURTHOUSE HILL
 DAHLONEGA, GA 30533
 TEL. (706) 867-6580

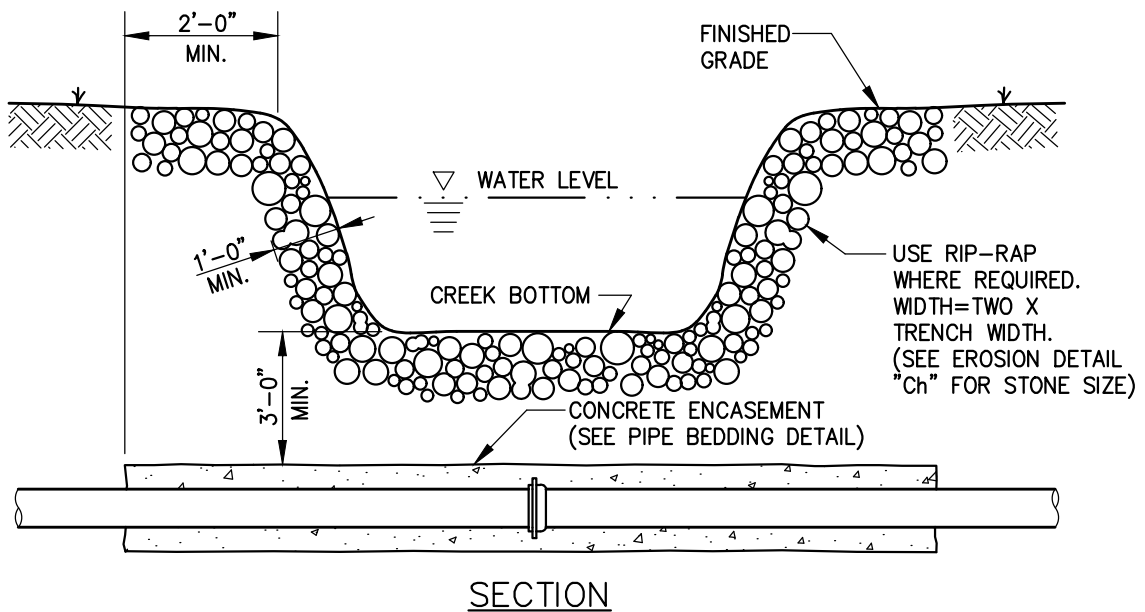
**WATER SYSTEM IMPROVEMENTS
 STANDARD DETAILS**

DRAWN BY: SMS

SCALE: AS SHOWN

DATE: JULY 13, 2019

DWG. NO. 494-03A1-W09



CREEK CROSSING
NTS



LUMPKIN COUNTY WSA
194 COURTHOUSE HILL
DAHLONEGA, GA 30533
TEL. (706) 867-6580

**WATER SYSTEM IMPROVEMENTS
STANDARD DETAILS**

DRAWN BY: SMS

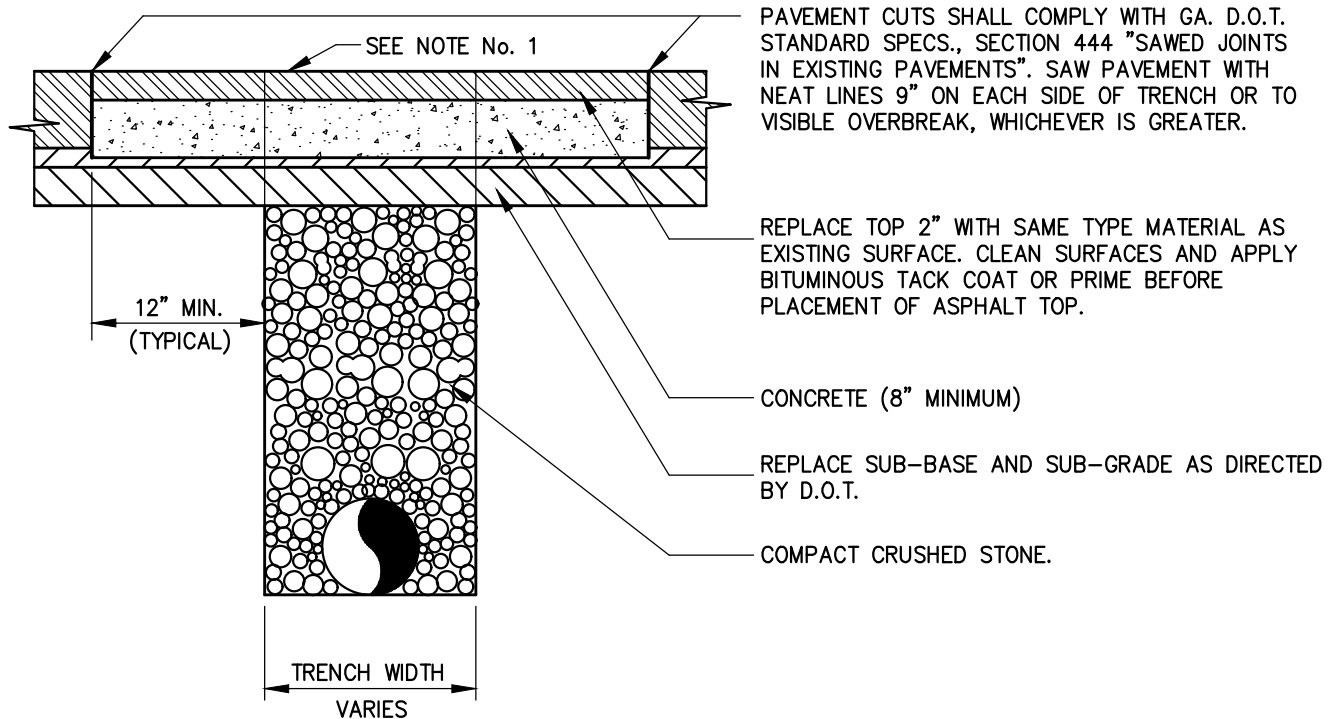
SCALE: AS SHOWN

DATE: JULY 13, 2019

DWG. NO. 494-03A1-W10

NOTES

1. COVER PAVEMENT CUTS WITH STEEL PLATES OF SUFFICIENT THICKNESS TO SPAN THE CUT AND SAFELY CARRY TRAFFIC.
2. USE READY-MIX CONCRETE WITH 4,000 PSI STRENGTH @ 28 DAYS.
3. COMPLY WITH SPECIFIC REQUIREMENTS OF APPLICABLE DOT UTILITY ENCROACHMENT PERMITS.



D.O.T. PAVEMENT REPLACEMENT

NTS



LUMPKIN COUNTY WSA
 194 COURTHOUSE HILL
 DAHLONEGA, GA 30533
 TEL. (706) 867-6580

**WATER SYSTEM IMPROVEMENTS
 STANDARD DETAILS**

DRAWN BY: SMS

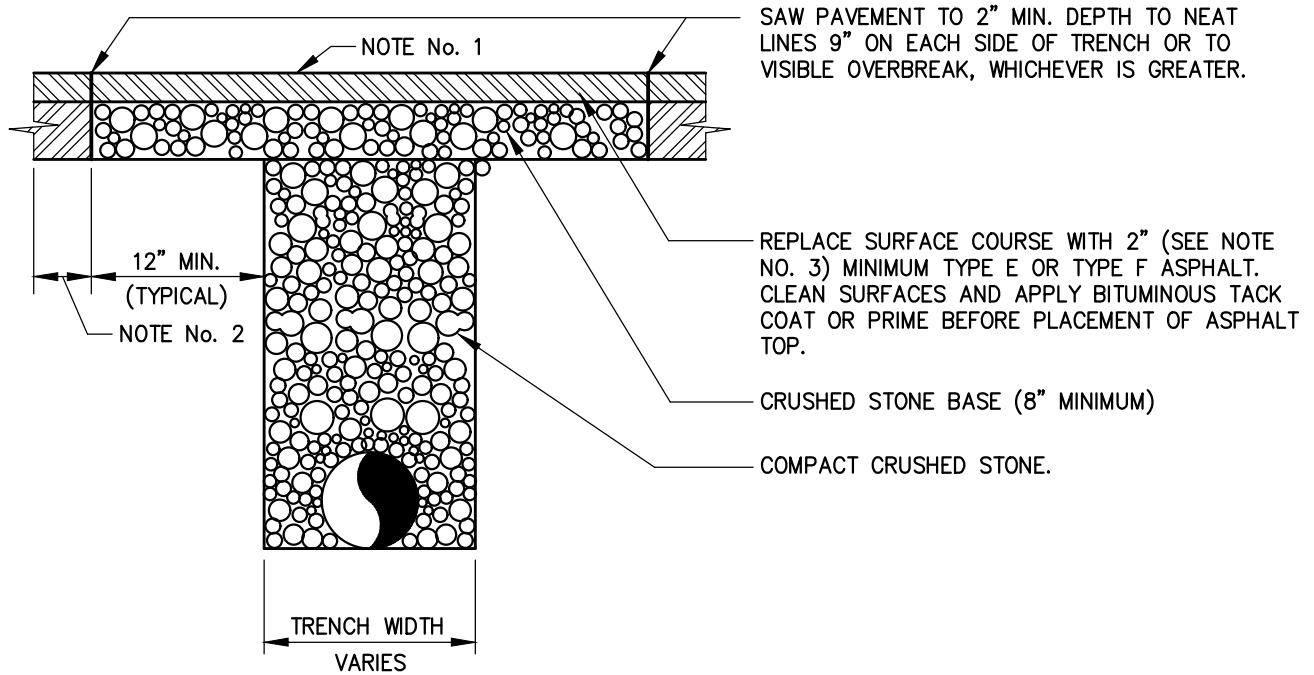
SCALE: AS SHOWN

DATE: JULY 13, 2019

DWG. NO. 494-03A1-W11

NOTES

1. IN AREAS WHERE TRAFFIC MUST BE MAINTAINED, COVER PAVEMENT CUTS WITH STEEL PLATES OF SUFFICIENT THICKNESS TO SPAN CUT AND SAFELY CARRY TRAFFIC. KEEP PLATES IN PLACE 24 HOURS MINIMUM AFTER PLACING CONCRETE.
2. REMOVE AND REPLACE BASE AND PAVEMENT TO OUTER EDGE OF EXISTING PAVEMENT IF REMAINING PAVEMENT WIDTH IS 24" OR LESS.
3. REPLACE CONCRETE DRIVEWAY PAVEMENT WITH 4" OF READY-MIX CONCRETE WITH 3000 PSI STRENGTH @ 28 DAYS.



LOCAL PAVEMENT REPLACEMENT

NTS



LUMPKIN COUNTY WSA
 194 COURTHOUSE HILL
 DAHLONEGA, GA 30533
 TEL. (706) 867-6580

**WATER SYSTEM IMPROVEMENTS
 STANDARD DETAILS**

DRAWN BY: SMS

SCALE: AS SHOWN

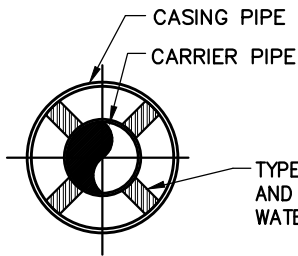
DATE: JULY 13, 2019

DWG. NO. 494-03A1-W12

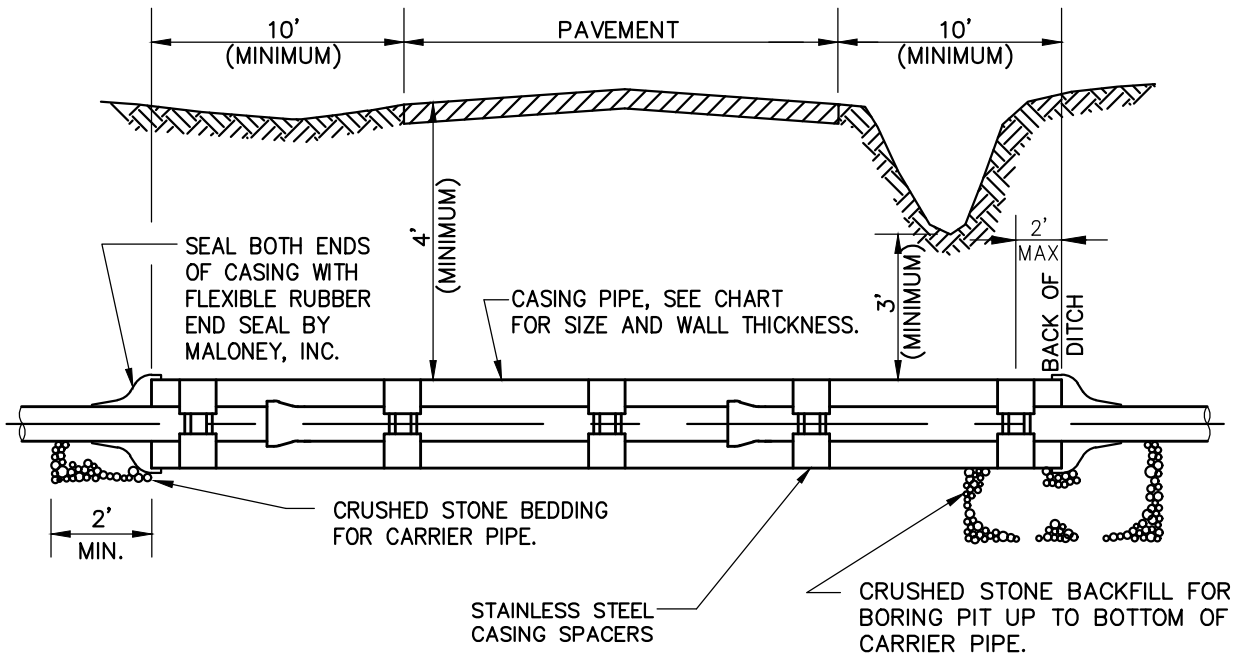
NOTES

1. INSTALL CASING BY BORING AND JACKING, UNLESS OTHERWISE NOTED.
2. CARRIER PIPE IN CASING SHALL BE DUCTILE IRON PIPE, PUSH-ON JOINTS WITH RESTRAINED JOINTS, U.S. PIPE FIELD LOK OR EQUAL.

DUCTILE IRON CARRIER PIPE		STEEL CASING PIPE	
INSIDE DIA.	MAX O.D.	NOMINAL DIA.	WALL THICK.
6"	9"	12"	0.250"
8"	11 1/4"	16"	0.250"
10"	13 1/2"	18"	0.250"
12"	15 1/2"	20"	0.375"
14"	17 3/4"	22"	0.375"
16"	20"	24"	0.375"
18"	22 1/4"	28"	0.375"
20"	24 1/4"	30"	0.375"
24"	28 1/2"	36"	0.500"



TYPE 304 STAINLESS STEEL CASING SPACERS WITH PVC LINERS AND LOW FRICTION POLYMER RUNNERS. MANUFACTURED BY CASCADE WATERWORKS MFG. CO. OR EQUAL. (2 REQUIRED PER JOINT)



HIGHWAY CROSSING

NTS



LUMPKIN COUNTY WSA
 194 COURTHOUSE HILL
 DAHLONEGA, GA 30533
 TEL. (706) 867-6580

**WATER SYSTEM IMPROVEMENTS
 STANDARD DETAILS**